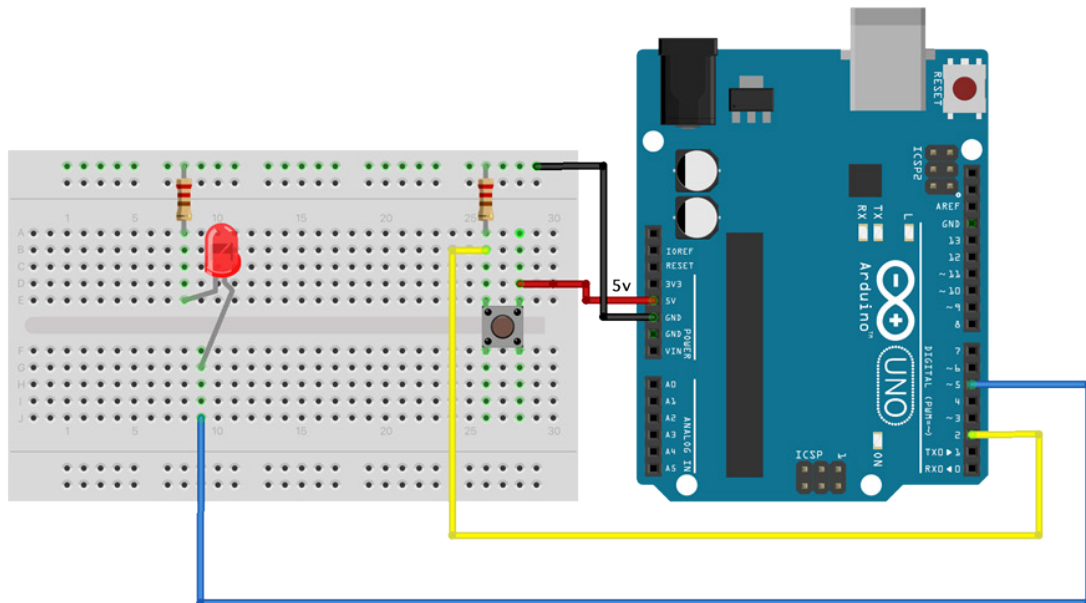


3



/*
 Arduino Dice - step 2: one LED + one BUTTON
 Created 27 Mar 2022
 By Fred Voorhorst
 See: www.educati.ch

This example code is in the public domain.

*/
 int BUTTON = 2;
 int LED1 = 5;
 #define DEBUG 1
 void setLED(int value) {
 digitalWrite(LED1, value);
 }
 void blinkLED(int x){
 // blinking the led an x amount of time
 for (int i=1; i<=x; i++) {
 setLED(HIGH);
 delay(250);
 setLED(LOW);
 delay(250);
 }
}

```
void setup() {
  // put your setup code here, to run once:
  // set all LED pins to OUTPUT
  pinMode(LED1, OUTPUT);

  // set button pin to INPUT
  pinMode(BUTTON, INPUT);

  // if we're debugging, connect to serial
  #ifdef DEBUG
    Serial.begin(9600);
  #endif

  //All leds off
  delay(100);
  setLED(HIGH);
  delay(100);
  setLED(LOW);
}

void loop() {
  // put your main code here, to run repeatedly:

  int p = digitalRead(BUTTON);
  #ifdef DEBUG
    Serial.print("Button: ");
    Serial.println(p);
  #endif

  if (p == HIGH) {
    blinkLED(5);
    delay(1000);
  }
}
```

